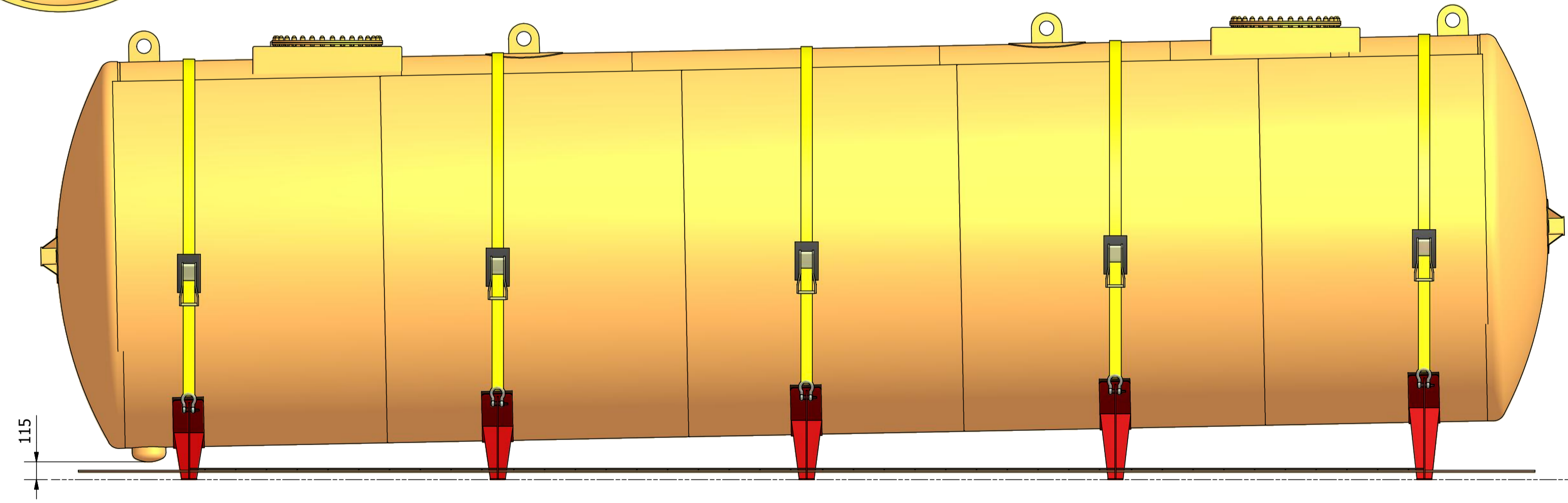
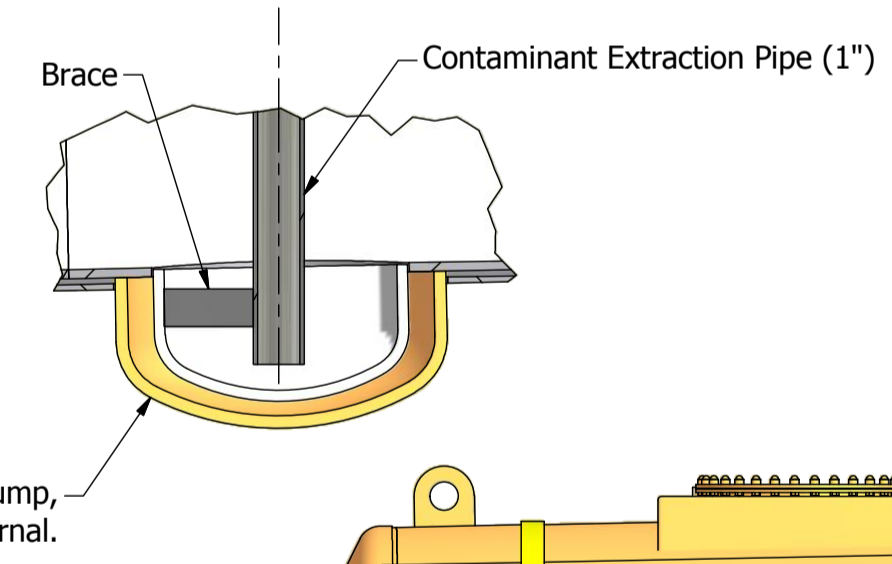
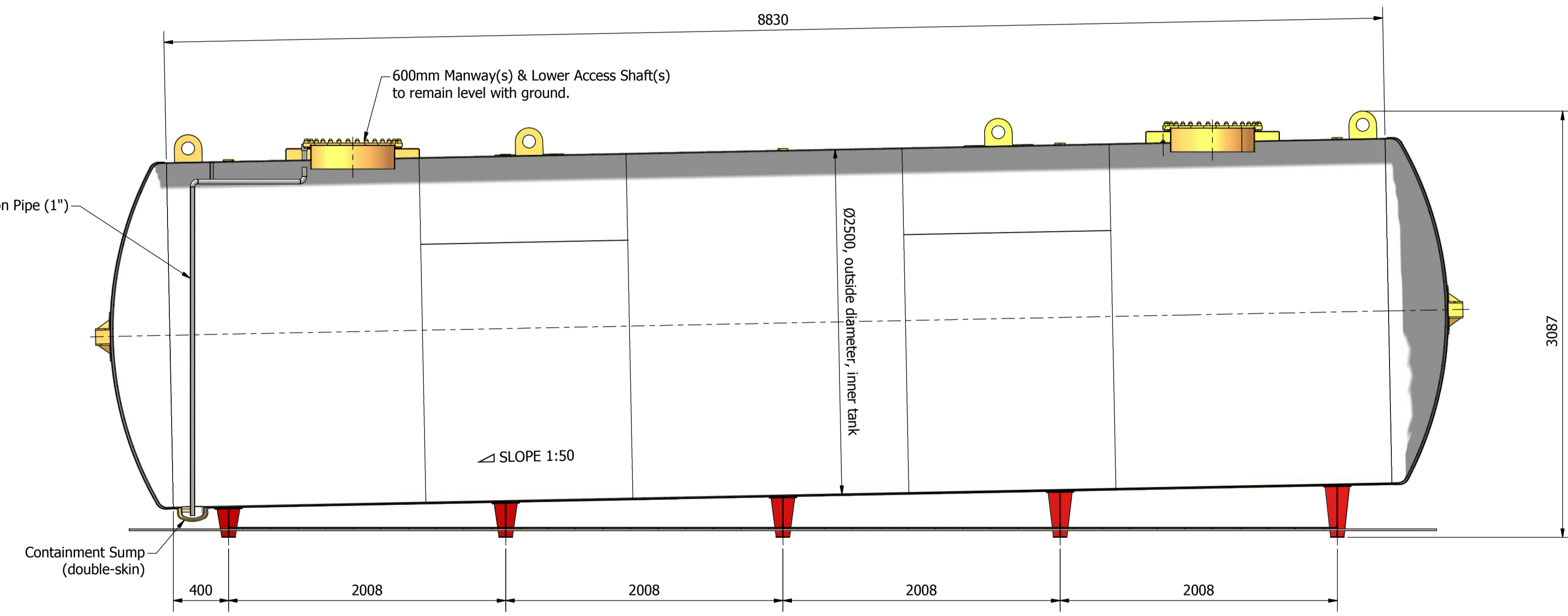
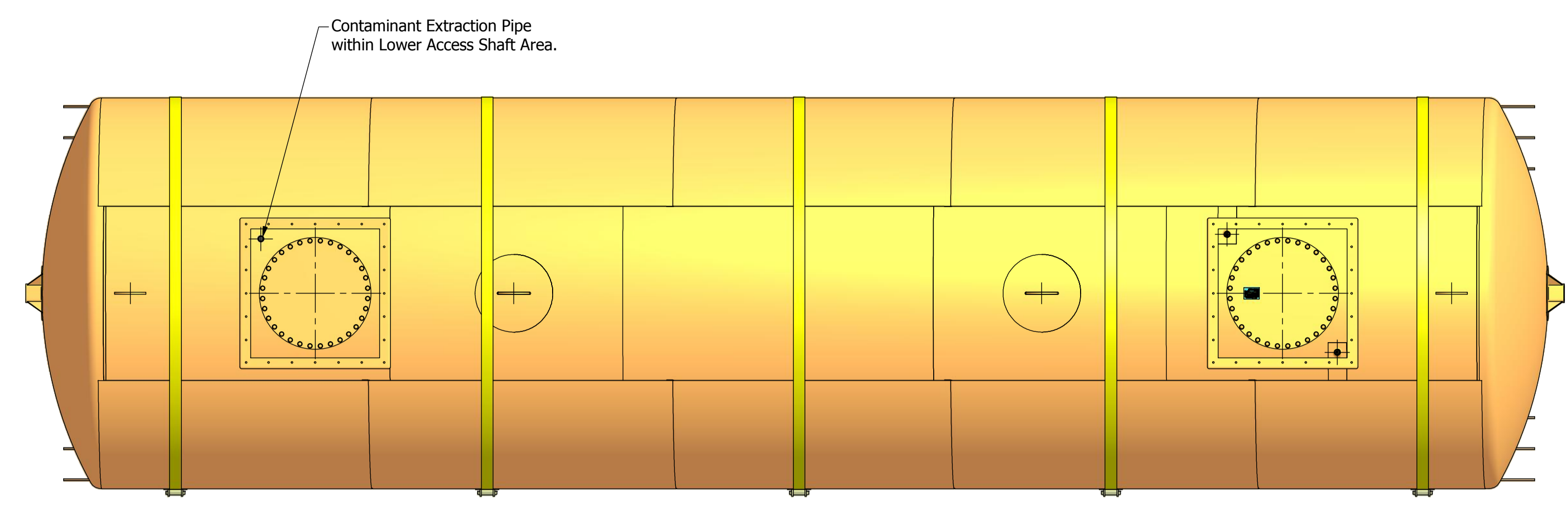
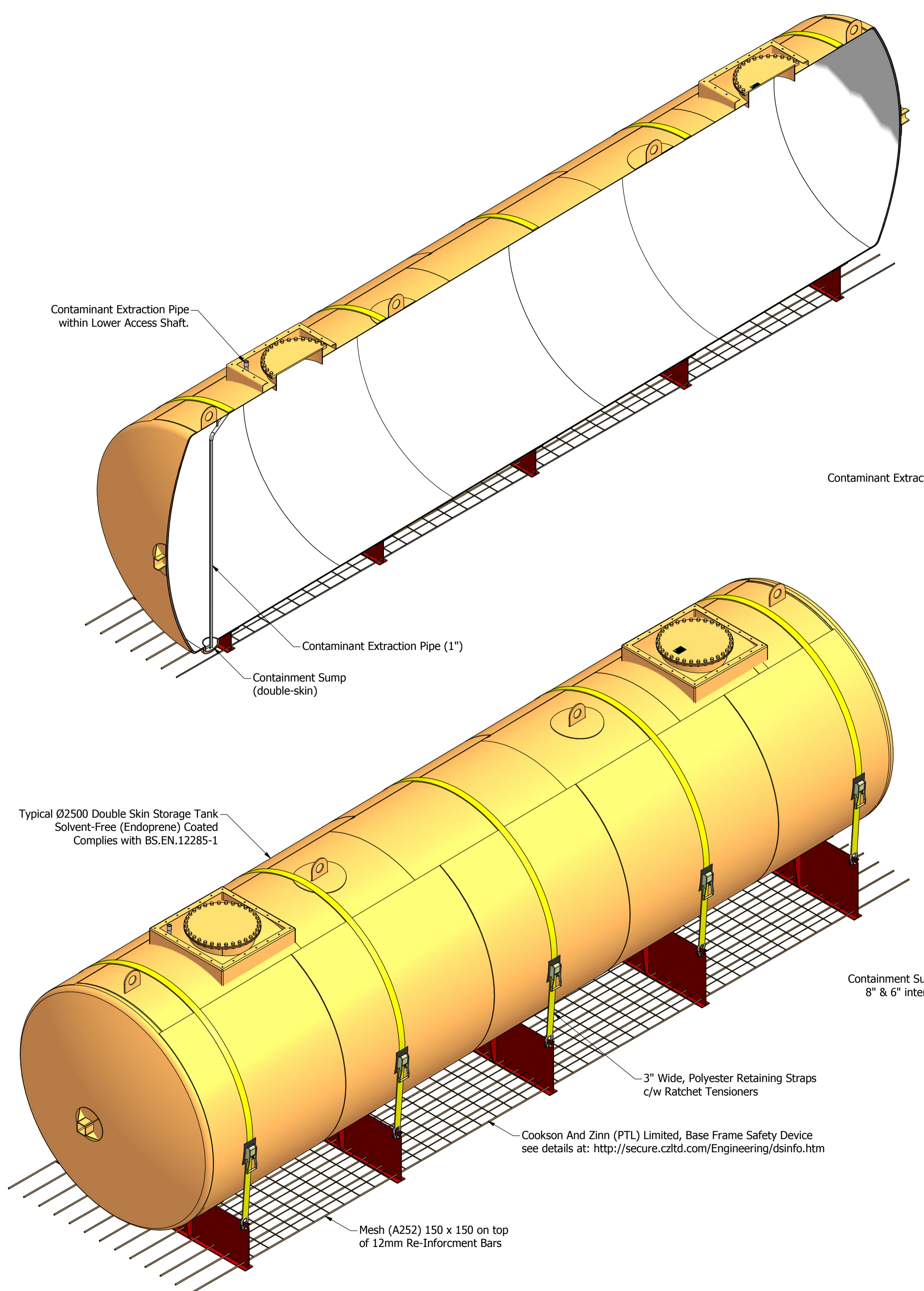


DO NOT SCALE - IF IN DOUBT ASK !



DESCRIPTION
'Bio-Ready', Storage Tank
 (Sloping, Double-Skin)

Tolerances & levels of acceptance for manuals/specials. See Cookson And Zinn Q.A. documentation, available on request.

CLIENT	Stock No.	CAD REF.	ALL DIMENSIONS IN mm
CZ JOB No.	MATERIAL	FINISH	
DRAWN BY: [Signature]		CHECKED BY: [Signature]	
DATE: [Date]		DATE: [Date]	
COOKSON AND ZINN (PTL) LIMITED STATION ROAD WORKS, POND-HALL ROAD, HADLEIGH, IPSWICH, SUFFOLK, IP7 5PN TEL: (01473) 825200 FAX: (01473) 824164 Web: www.czitd.com Email: info@czitd.com			
P2 Cables Replaced with Straps Drawing Created		A1/Bio-Ready #1 P2	