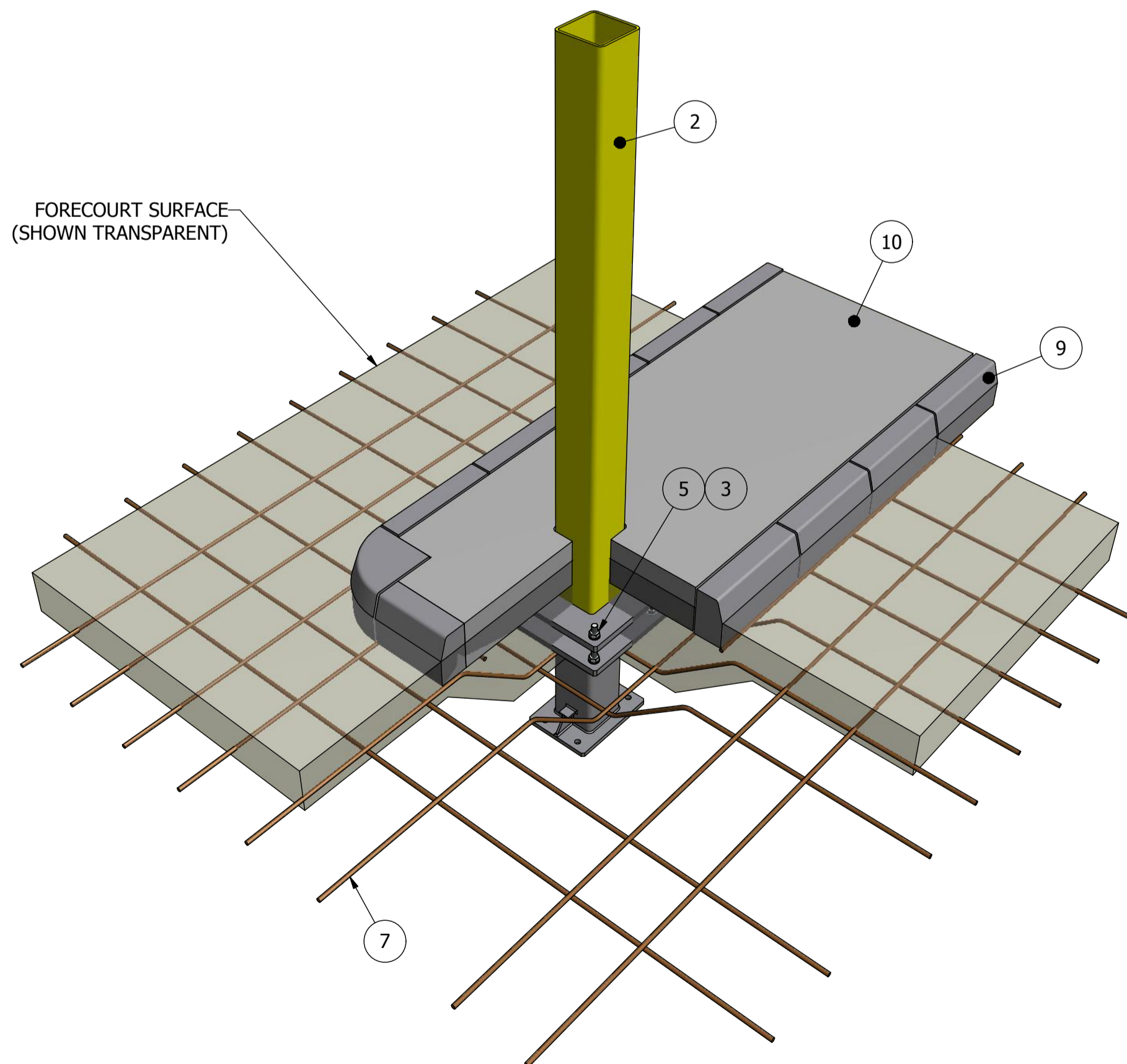
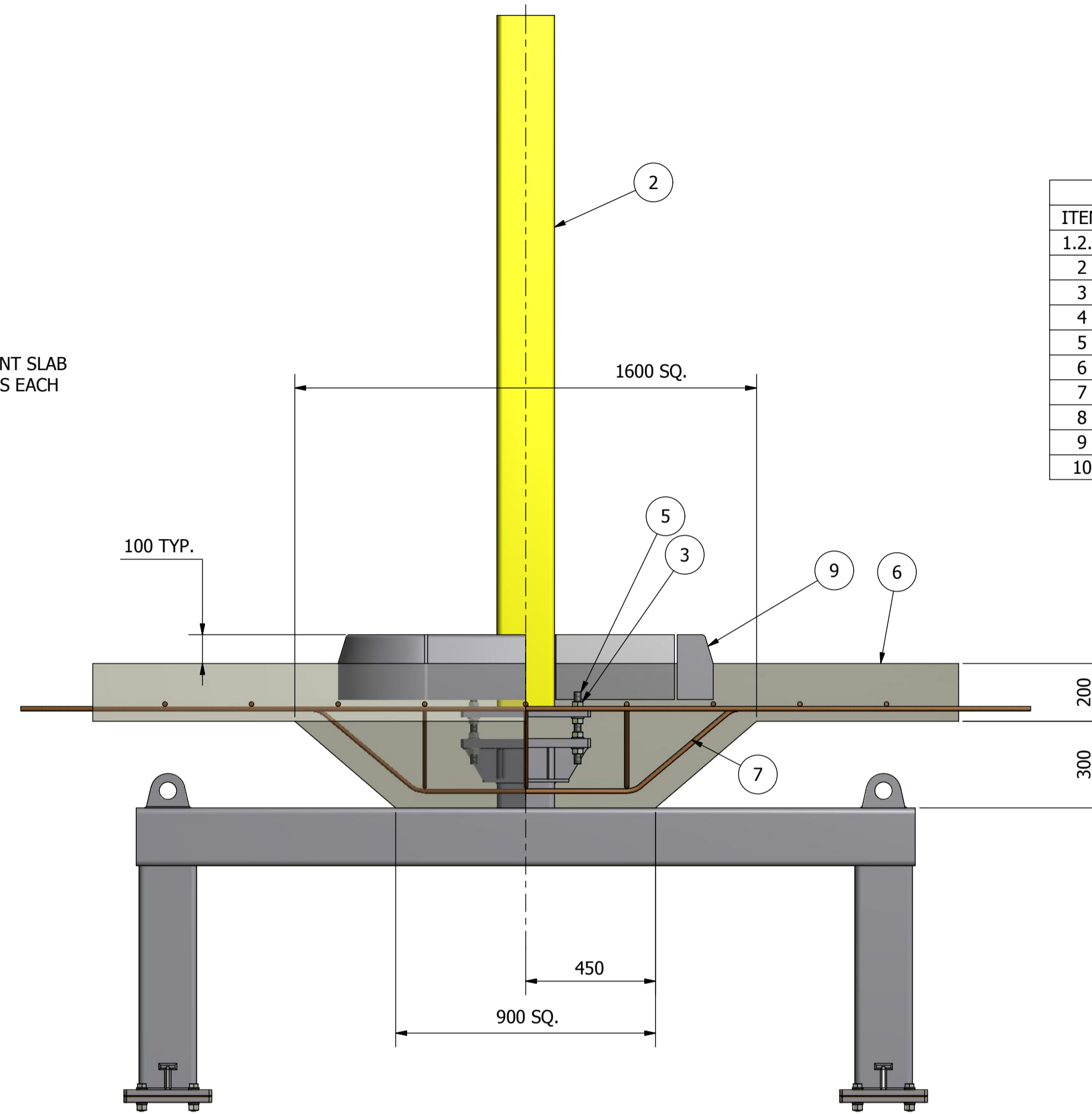
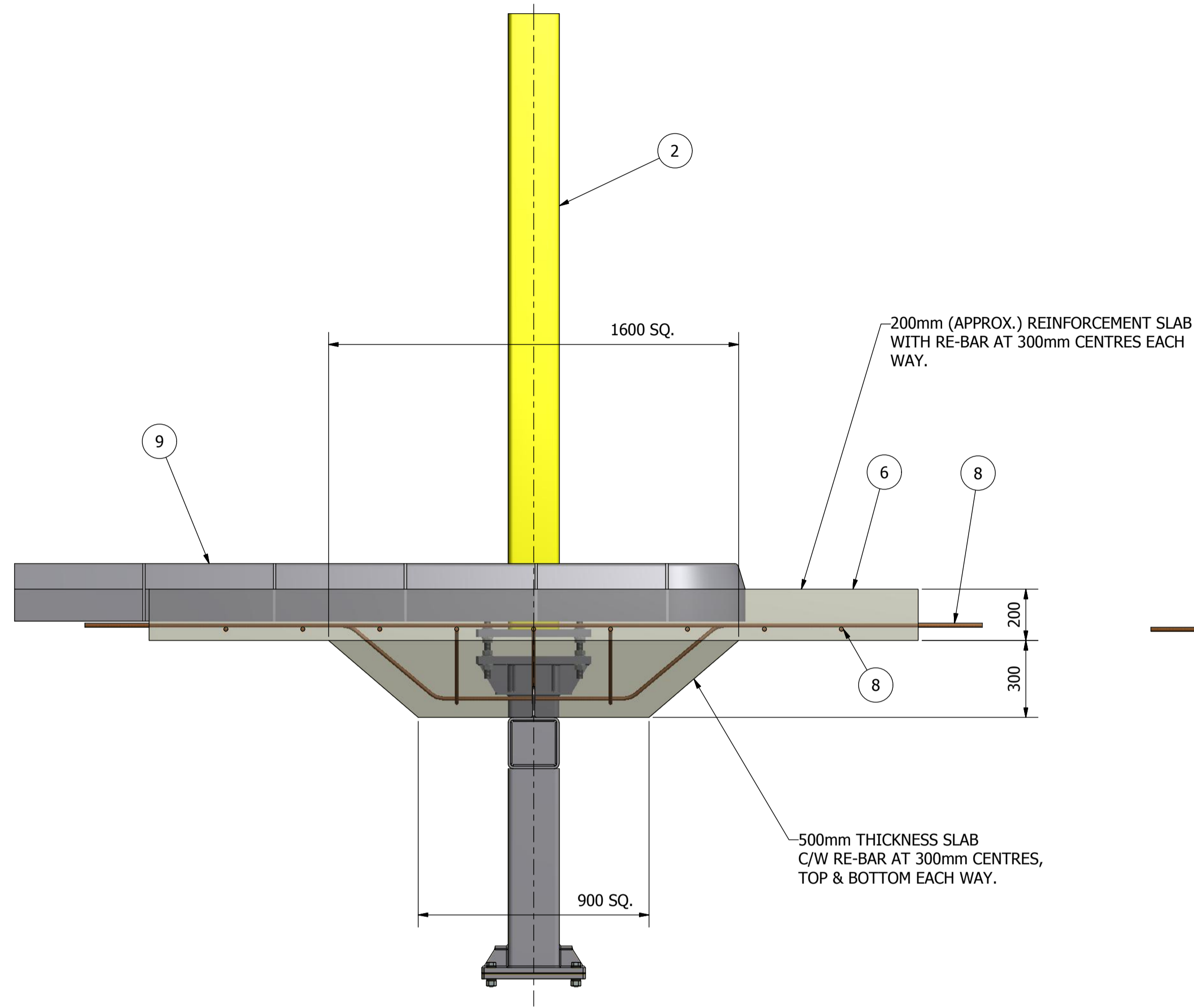
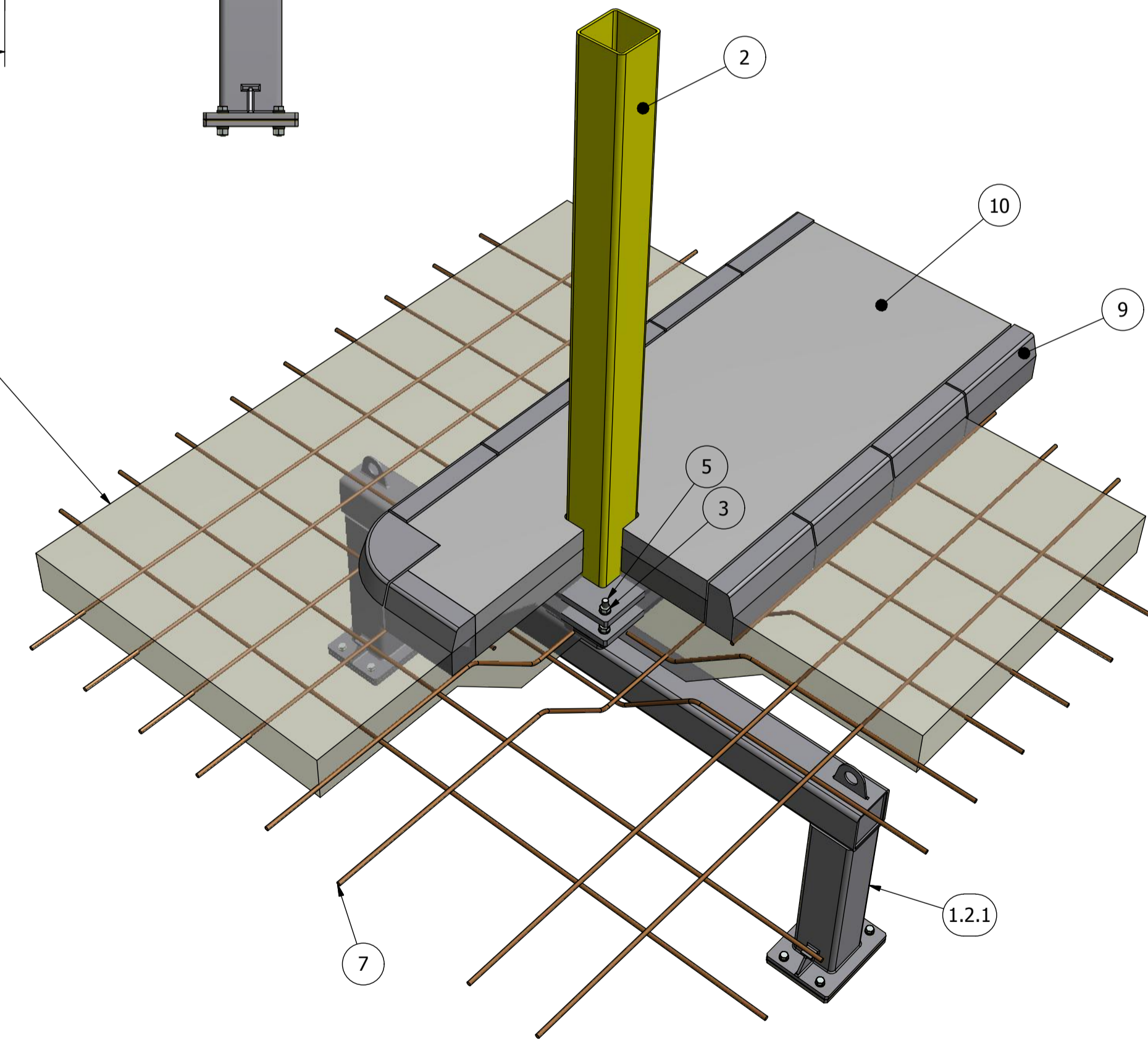


DO NOT SCALE - IF IN DOUBT ASK !

Parts List			
ITEM	DESCRIPTION	DRAWING / PART	OPERA No.
1.2.1	Bridge, Canopy Support Assembly. (2743 dia)	S700-257	
2	Canopy Post		
3	M24 Hex Nut, BZP (19 thk)		
4	M24 Plain Washer, BZP		
5	M24 x 250 LG STUD, BZP		
6	Forecourt slab/surface		
7	12mm Dia. Reinforcement Bar	** Model Only **	
8	12mm Dia. Reinforcement Bar	** Model Only **	
9	Forecourt Kerb Edge		
10	Forecourt Island, Concrete Infill		



FORECOURT SURFACE (SHOWN TRANSPARENT)



NOTES:

BRIDGE ('GOALPOST') CANOPY SUPPORT -->

<-- SINGLE COLUMN CANOPY SUPPORT, AS REQUIRED BY SITE/TANK LAYOUT(S).

M24 x 250 LG STUDS (BY OTHERS) C/W HEX. NUT & WASHERS USED TO LEVEL CANOPY LEG(S) PRIOR TO CONCRETING.

Tolerances & levels of acceptance for manuals/specials. See Cookson And Zinn Q.A. documentation, available on request.

REV	DESCRIPTION OF CHANGE	DATE	BY	DATE	APPROVED BY
C	Re-Bar Dimensioned	13/05/2014			
B	Single Column Added	13/05/2014			
A	Notes Extended	13/05/2014			
O	Drawing Created	13/05/2014			

COOKSON AND ZINN (PTL) LIMITED  
STATION ROAD WORKS, POND-HALL ROAD,  
HADLEIGH, IPSWICH, SUFFOLK, IP7 5PN  
TEL: (01473) 825200 FAX: (01473) 824164  
Web: www.cztd.com Email: info@cztd.com

CLIENT	Stock No.	CAD REF.
PetroFast II		S700-264.idw
CZ JOB No.	MATERIAL	FINISH
Various		

DESCRIPTION		SCALE	DRAWING No.	REVISION
Typical PetroFast Forecourt Reinforcement Details			S700-264	C

THIRD ANGLE PROJECTION